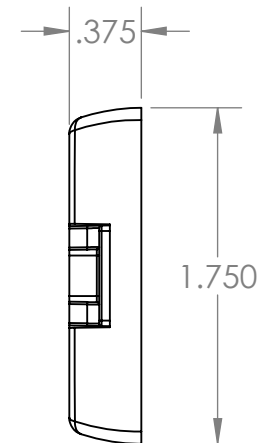
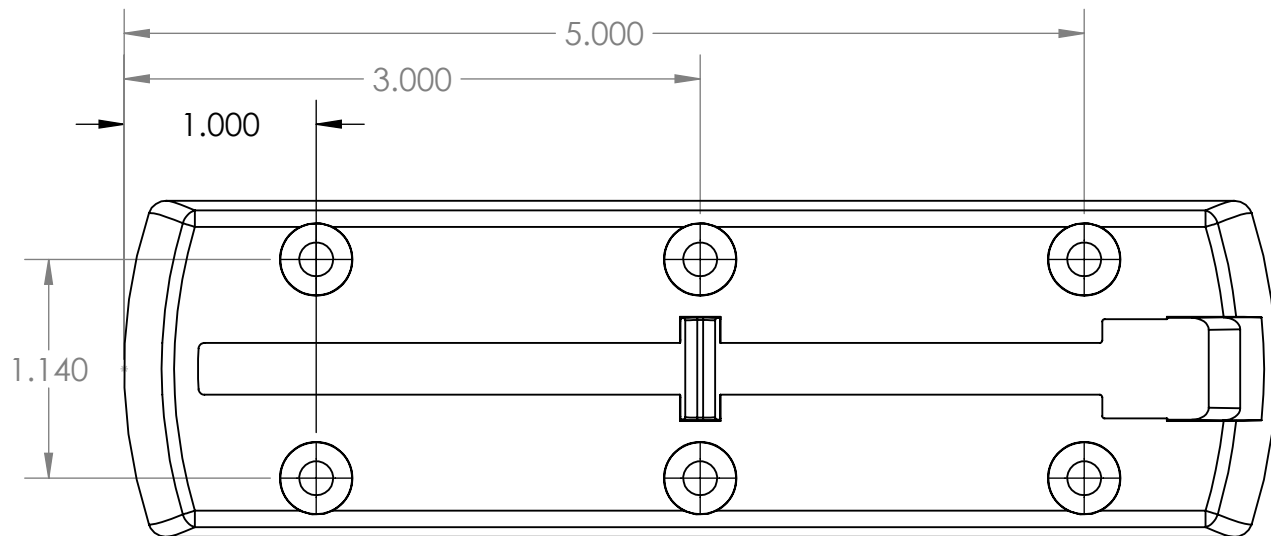
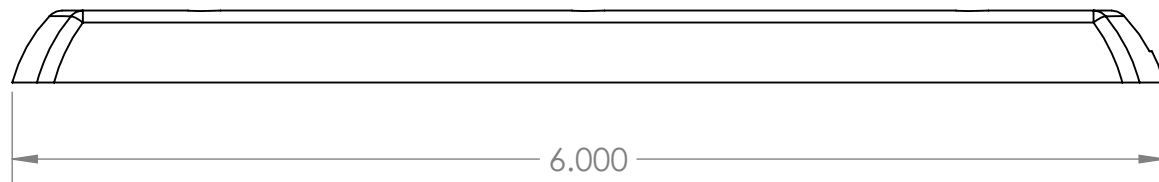


B



B



A

UNLESS OTHERWISE SPECIFIED:

DIMENSIONS ARE IN INCHES
 TOLERANCES:
 ANGULAR 0.5
 TWO PLACE DECIMAL 0.01
 THREE PLACE DECIMAL 0.005

MATERIAL

Polycarbonate

FINISH

Black

DO NOT SCALE DRAWING

PART NUMBER:

K738506



TITLE:

6" INJECTION
 MOLDED
 TRACK

SCALE: 1:1

SHEET 1 OF 1

A

2

1