
 **Nyloc Nut:** When installing in an area that does not allow access to the backside of the mounting surface.

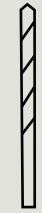
 **Well Nut:** when installing when there is no access to the backside of the mounting surface.

Tools




#2

5/32"




#8-32 PH machine screw




x4

#8 flat washer




x4

#8-32 nyloc nut




x4

5/16"




#8-32 PH machine screw



x4

#8-32 well nut



x4

