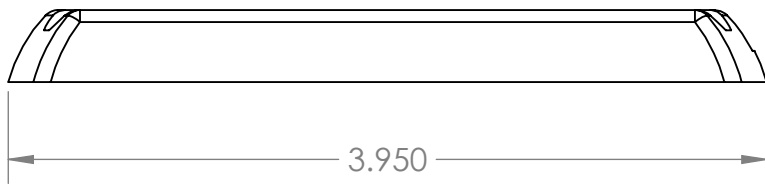
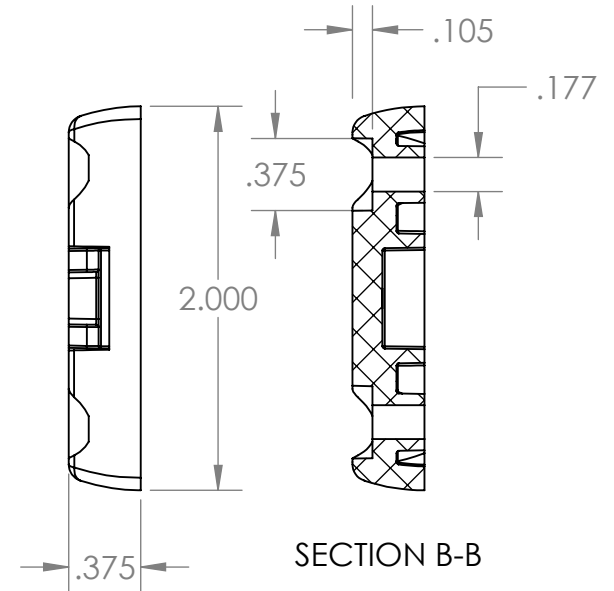
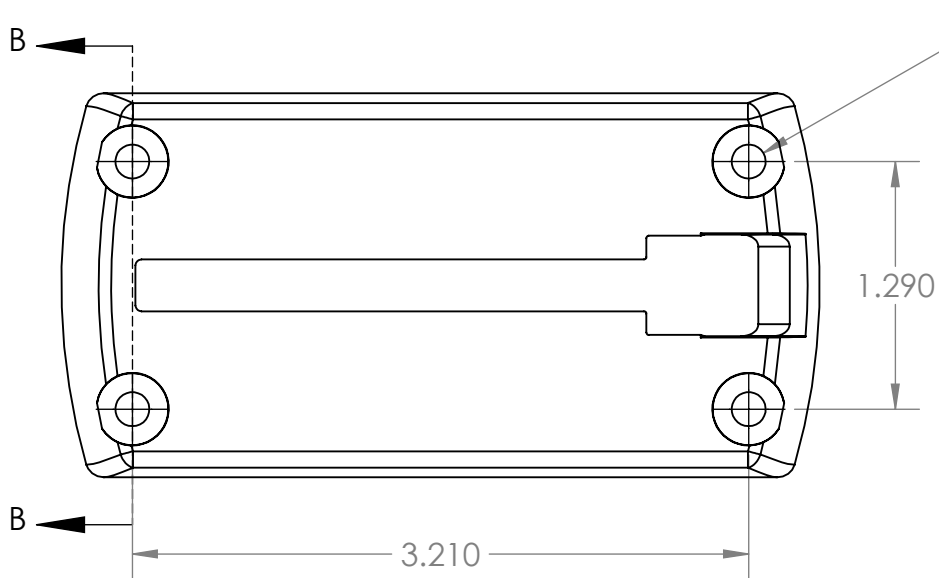


2

1

B

B



A

A

UNLESS OTHERWISE SPECIFIED:

DIMENSIONS ARE IN INCHES
 TOLERANCES:
 ANGULAR 0.5
 TWO PLACE DECIMAL 0.01
 THREE PLACE DECIMAL 0.005

MATERIAL

Polycarbonate

FINISH

Black

DO NOT SCALE DRAWING

PART NUMBER:

K738504



TITLE:

SINGLE
 LOCATION
 TRACK

SCALE: 1:1

SHEET 1 OF 1

2

1