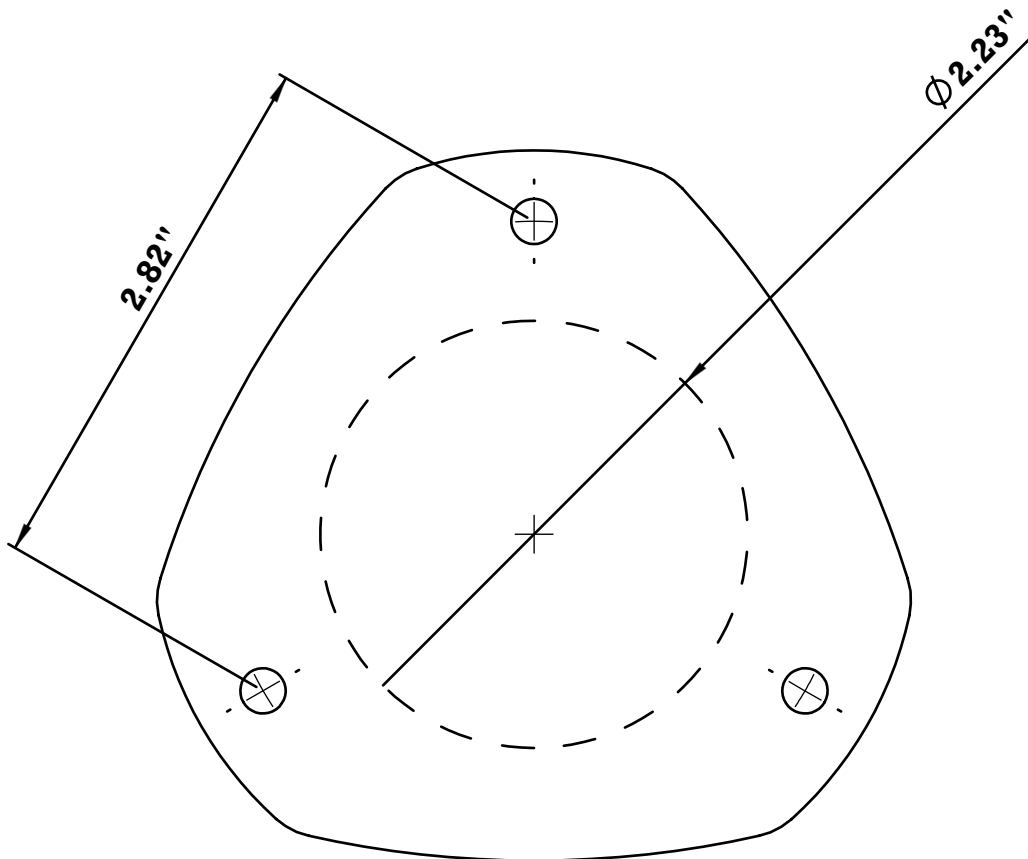


## 90° FLUSH MOUNT ROD HOLDER W/ CLOSED END

K325112

### Template Instructions

- Cut along dotted line.
- Insert rod holder into cut hole and confirm that template matches rod holder.
- Lay template on deck of Kayak and trace hole.
- Cut out hole with appropriate saw.
- Mount rod holder with appropriate fasteners.



### Printing Instructions

In your printer settings, select "Actual Size" or "No Scaling" when you print. The square to the right should be 1"x1" after printing.

